

## Securing container doors using SpanSet CTUXafe

The simplest and most cost-effective solutions prevents nasty surprises when unlocking the door of a container.

When opening up a container, the unloader knows what is inside the container, but they don't know what it looks like behind the closed door. If the contents have come undone or moved during transport, this may exert pressure on the container door from the inside. If the container door is then unlocked, the load may push the door open suddenly and injure anyone standing in front of it. For this reason, the new CTU code recommends opening with the help of a safety strap (Chapter 12.2.2) or a diagonal safety chain (Appendix 5 Chapter 6.3).

### Securing diagonally

The CTU Code Appendix 5, Section 6 describes securing the doors with a diagonally applied chain (or strap). The advantage of this method is that the mounts of the locking bars are not strained. However, this method is very time consuming since attaching and removing (e.g. from top right to bottom left) is only possible with the help of a ladder.

### Functional principle of securing across the locking bars

Before opening the door, the locking bars of both halves of the door are connected by a one-piece lashing strap with quick-release buckle. If the door

is under pressure from the inside after unlocking, the strap means it is only able to open a short way. The doors are held in place by the CTUXafe safety strap. The user is now able to take suitable safety measures to enable them to open the door safely. When the pressure on the strap is gone, it can be removed from the door.

### Requirements met by SpanSet CTUXafe

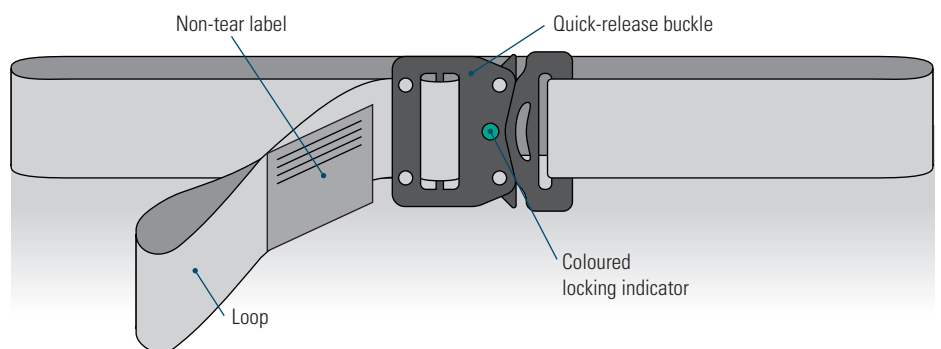
- The strap has a breaking force of 1.8 t and thus a maximum strapping holding force of 3.6 t. Making it more than sufficient for the intended

purpose.

- The strap can be fitted quickly.
- It should not be possible to open the strap under load, since a slightly opened container door under tension may not be unlocked without restraint.

### Benefits of CTUXafe:

Application is simple and quick. CTUXafe is cost-effective, and unlike diagonal securing, can be implemented without further aids.



## Product benefits of CTUXafe

Feature ▶▶▶▶	Benefit ▶▶▶▶	Uses
Special attachment buckle	Flat construction format	Can be fitted to every container even when space is at a premium
Load capacity of up to 3.6 t	High forces can be cushioned	User safety
Length may be adapted	A solution for many containers	Universal use

---

## ORDER FORM

---

CTUXafe



---

### CTUXafe

Article number	Max. holding force at strapping [t]
D066781DU	3,6

---

### Units:

Name: .....

Company: ..... Position im Unternehmen: .....

Street, postcode, city: .....

Tel / Fax: ..... Email: .....

Tax ID: .....

Date, signature: .....

- Delivery from the factory
- All prices plus VAT
- On the basis of our general terms of sale (at [www.spanset.de](http://www.spanset.de))

#### SpanSet GmbH & Co. KG

Jülicher Straße 49-51,  
52531 Übach-Palenberg

Tel: +49 (0) 2451 4831-0  
Fax: +49 (0) 2451 4831-207

Email: [info@spanset.de](mailto:info@spanset.de)  
Web: [www.spanset.de](http://www.spanset.de)